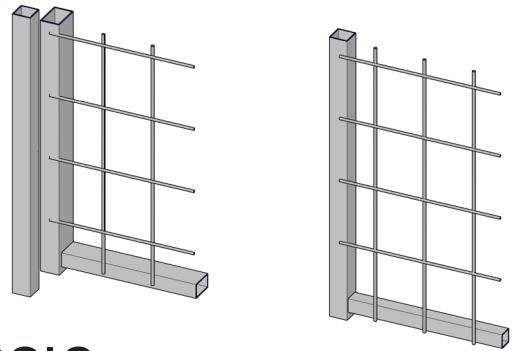


Product information

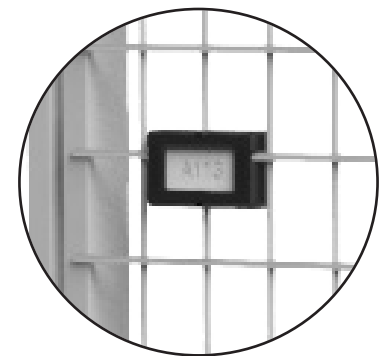
» Storeroom wall type F



STOREROOM WALL F · A CLASSIC

Our Axelent F storeroom system definitely belongs among our top sellers as the strength and security that this provides is often adequate enough. We have prepared for everything to run as smoothly as possible already at the design stage when the walls are on site and are to be installed.

Storeroom walls for
normal
conditions



Did you know that ...

- With extra robust tubular construction in the doors.
- Can be cut to suit existing construction.
- We have the ability to build topsection/ roof
- The walls are painted in RAL 9018.
- Accessories, see homepage.

Storeroom wall FK, FK+ and FP is available as an option, if you wish, contact customer support for update offer!

All our systems can be combined!

PRODUCT DESCRIPTION – F

Material & design	Dimensions (mm)
Tubular steel frame, wall	
Vertical tubes	19x19
Horizontal tubes	15x15
Tubular steel frame, door	
Vertical tubes	30x20
Horizontal tubes	25x15
Steel mesh	
Vertical wires	Ø 3.0
Horizontal wires	Ø 2.5
Dimensions	50x65
Door opening dimensions	
30-4225750(1)	2000x710
30-4275900(1)	2000x860